



InnoTech manual push to open

Storage Solutions

Technik für Möbel



Quadro V6 push to open

Full-extension drawer runner for InnoTech / Load capacity 30kg

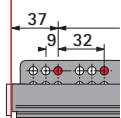


- **Slide-on assembly** – simply place the drawer on the runners and push home
- Push to open – a nudge is all it takes to open the drawer
- The integrated roll-out prevention stops accidental opening
- Perfect vertical and lateral stability. The robust, resilient tracks ensure optimal slide action through precision-guided steel balls
- Maintenance-free through self-cleaning ball tracks

Nominal length mm	Min. cabinet depth mm		Hole spacing mm b1	Product code		PU
	Drawer	Internal drawer		left	right	
260	305	314	160	9116754	9116775	20 sets
300	315	324	160	9117490	9117501	20 sets
350	365	374	160	9117473	9117474	20 sets
420	435	444	224	9116789	9116790	20 sets
470	485	494	256	9115820	9115821	20 sets
520	535	544	256	9117871	9117872	20 sets

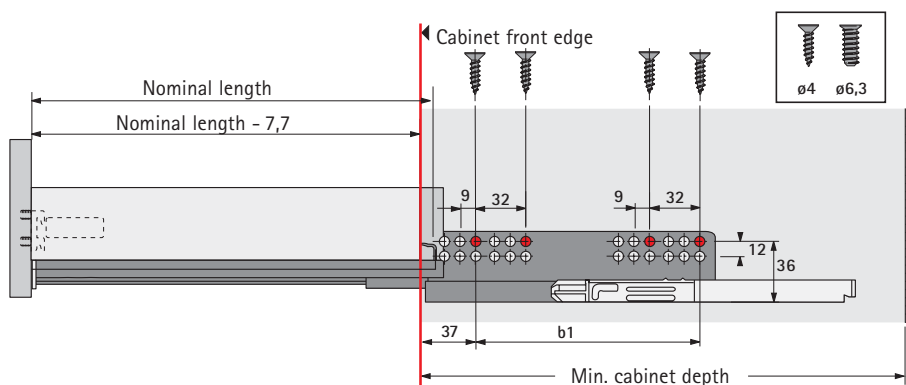
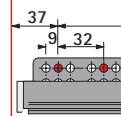
Drawer

◀ Cabinet front edge



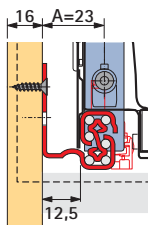
Internal drawer

◀ Cabinet front edge



The dimensions stated produce a minimum gap of 4mm between front panels.

• = Minimum number of screw-fixing positions



Material thickness	16
Quadro installation width (EB)	12,5
Dimension A	23

Finish	Dimensions mm	Order no.	PU
	ø 6,3 x 10,5	0051 264	200
	ø 6,3 x 14	0051 265	200
	ø 4,0 x 16	0010 085	200

OrgaTray 100

InnoTech drawer organisation

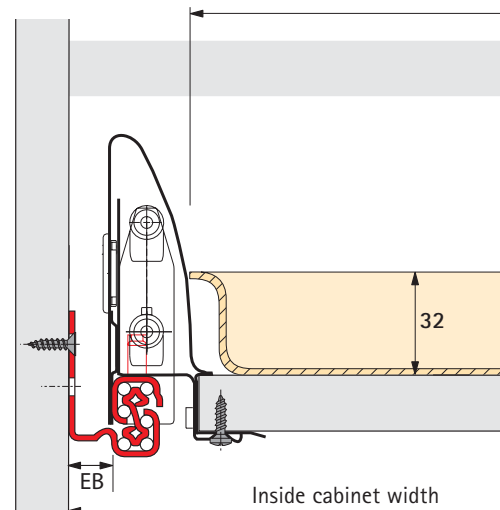


- Perfect storage solution for small items
- For nominal length 260 and 300mm
- Cut to size
- Antistatic, easy to clean
- Finish in silver or white

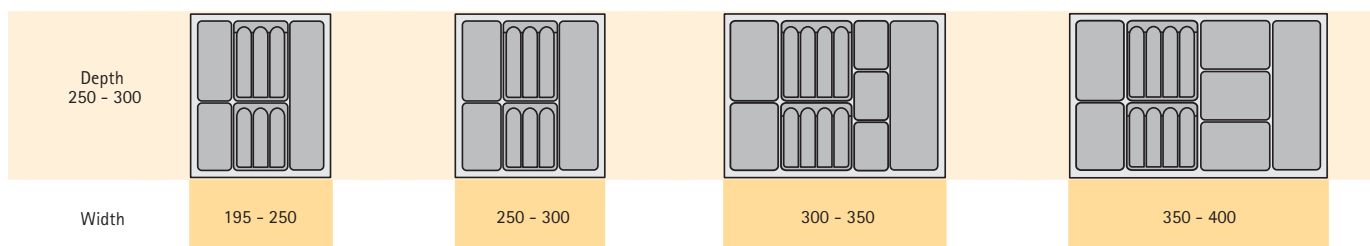
For cabinet width mm	Width mm	Product code		PU
		silver	white	
295 - 350	195 - 250	9 117 261	9 117 265	1
350 - 400	250 - 300	9 117 262	9 117 266	1
395 - 450	295 - 350	9 117 263	9 117 267	1
445 - 500	345 - 400	9 117 264	9 117 268	1

Dimensions for cutting OrgaTray 100 to size

Trimmed width = inside cabinet width - 68
 When using fascia profiles = inside cabinet width - 72
 Trimmed depth = nominal length - 7,7



Partitioning



OrgaTray 200

InnoTech drawer organisation

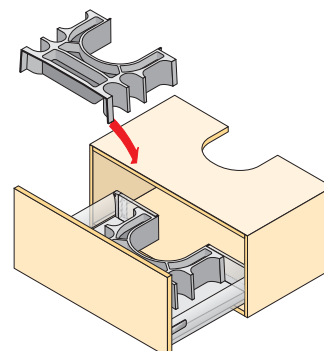
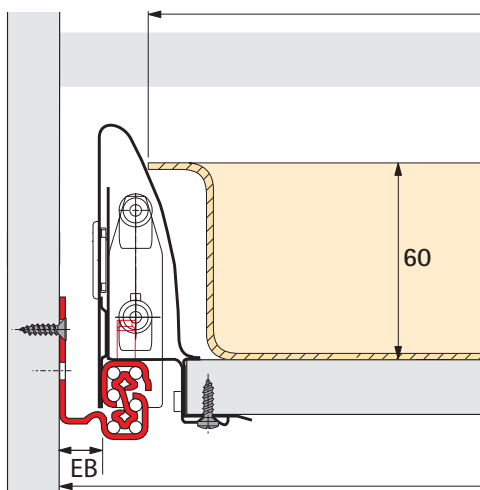
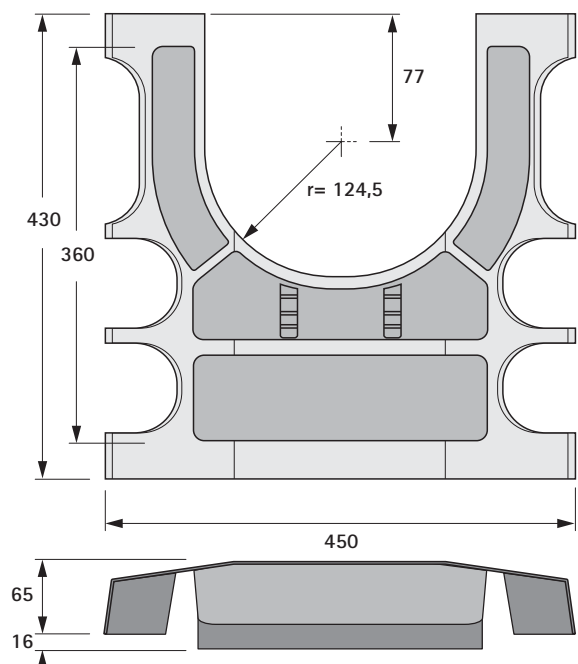


- With U-bend recess – thus avoiding waste pipes
- Edging around U-bend recess
- Suitable for cabinet widths starting from 600mm
- For drawers / pull-outs with wooden rear panel, nominal length 420mm
- Antistatic, easy to clean
- Finish in silver or white

Finish	Product code	PU
silver	9 117 269	1
white	9 117 270	1

Dimensions for cutting OrgaTray 200 to size

Trimmed depth = nominal length - 6



OrgaTray 300

InnoTech drawer organisation

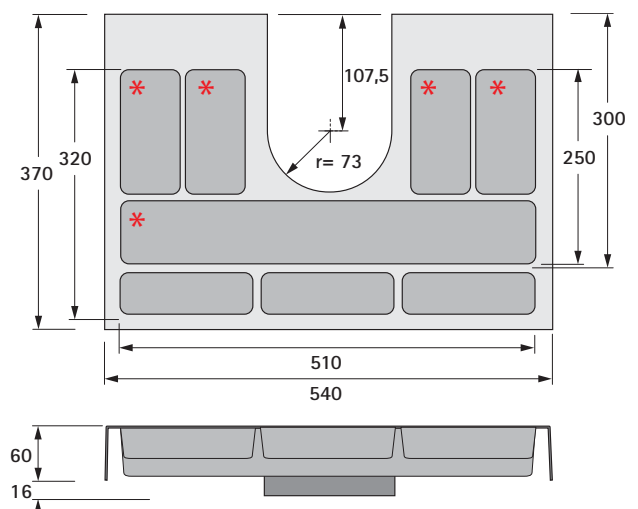


- With U-bend recess – thus avoiding waste pipes
- Edging around U-bend recess
- Suitable for cabinet widths starting from 600mm
- For drawers / pull-outs with wooden rear panel, nominal length 260, 300 and 350mm
- Set includes 2 variable dividers
- Antistatic, easy to clean
- Finish in silver or white

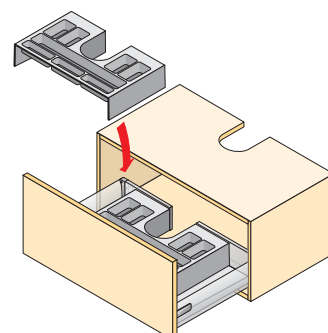
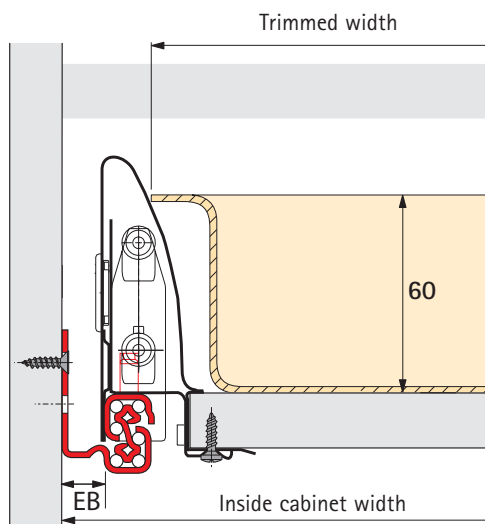
Finish	Product Code	PU
silver	9 117 281	1
white	9 117 282	1

Dimensions for cutting OrgaTray 300 to size

Trimmed width = inside cabinet width - 53
 When using fascia profiles = inside cabinet width - 57
 Trimmed depth = nominal length - 6



* Dividers can be used (2 pcs included in set)



Hettich Australia

1 Herbert Place
Smithfield 2164, Sydney
Phone (02) 96 16 77 00
Free phone 1800 HETTICH
Fax (02) 96 16 77 78
Free fax 1800 15 01 29
sales@hettich.com.au
architecture@hettich.com.au
www.hettich.com.au
Online catalogue - www.hettich.com.au/ecat
Technical hot line - 0412 832 448

Hettich New Zealand

18 Barmac Place
East Tamaki, Auckland
Phone (09) 2747374
Free phone 0800 HETTICH
Fax (09) 2747847
Free fax 0800 73 78 47
sales@hettich.co.nz
www.hettich.co.nz
Online catalogue - www.hettich.co.nz/ecat

Order no. 912700500
Subject to change without notice - Errors and omissions excepted



Technik für Möbel

